

## General Safety Information

### ⚠ WARNING – To avoid serious injuries:

- SPD-SL pedals are designed so that you release them only when you intend to release. They are not designed to release automatically at times such as when falling off the bicycle. This is a safety measure to prevent you from losing balance and falling off the bicycle as a result of your feet becoming accidentally released from the pedals.
- Use only SPD-SL shoes with this product. Other types of shoes may not release from the pedals, or may release unexpectedly.
- Use only Shimano cleats (SM-SH10 / SM-SH11) and tighten the mounting bolts securely to the shoes.
- Before attempting to ride with these pedals and shoes, make sure you understand the operation of the engagement / release mechanism for the pedals and cleats (shoes).
- Before you attempt to ride with these pedals and shoes, apply the brakes, then place one foot on the ground and practice engaging and releasing each shoe from its pedal until you can do so naturally and with minimal effort.
- Ride on level ground first until you become adept at engaging and releasing your shoes from the pedals.
- Before riding, adjust the spring tension of the pedals to your liking.
- When riding at low speed or when there is a possibility that you might need to stop riding, (for example, when doing a U-turn, nearing an intersection, riding uphill or turning a blind curve), release your shoes from the pedal beforehand so that you can quickly put your feet onto the ground at any time.
- Use a lighter spring tension for attaching the pedal cleats when riding in adverse conditions.
- Keep cleats and bindings clear of dirt and debris to ensure engagement and release.
- Remember to check the cleats periodically for wear. When the cleats are worn, replace them. Always check the spring tension after replacing the pedal cleats and before riding. If you do not maintain both your shoes and cleats in good condition, release and engagement to the pedals could become unpredictable or difficult, which could result in severe injury.
- Be sure to attach reflectors to the bicycle when riding at night. Do not continue riding the bicycle if the reflectors are dirty or damaged, otherwise it becomes more difficult for oncoming vehicles to see you.
- Obtain and read the service instructions carefully prior to installing the parts. Loose, worn, or damaged parts may cause serious injury to the rider. We strongly recommend only using genuine Shimano replacement parts.
- If you have any questions concerning your pedals, contact a professional dealer.
- Read these Technical Service Instructions carefully, and keep them in a safe place for later reference.

### BE SURE TO READ AND FOLLOW THE ABOVE WARNINGS CAREFULLY.

- If the warnings are not followed, your shoes may not come out of the pedals when you intend or they may come out unexpectedly or accidentally, and severe injury may result.

### NOTE:

- Before riding the bicycle, check that there is no play or looseness in the connection. Also, be sure to retighten the crank arms and pedals at periodic intervals.
- In addition, if pedaling performance does not feel normal, check this once more.
- Parts are not guaranteed against natural wear or deterioration resulting from normal use.
- For maximum performance we highly recommend Shimano lubricants and maintenance products.

SI-42T0A-005

PD-7810  
PD-6700  
PD-R670  
PD-5610

SPD-SL Pedals

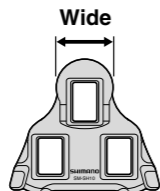
## Technical Service Instructions

### Cleat types and using the pedals

#### ■ Cleat types

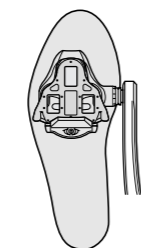
SM-SH10

(Option)  
Wide



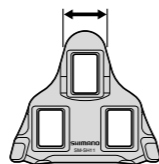
#### Fixed mode

There is no play when the shoes are firmly engaged with the pedals.



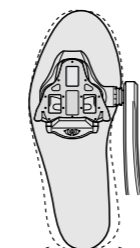
SM-SH11

Narrow



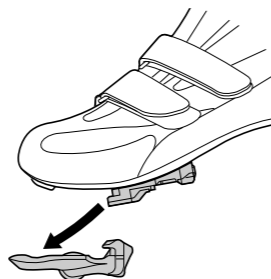
#### Self-aligning mode

There is some sideways play when the shoes are firmly engaged with the pedals.



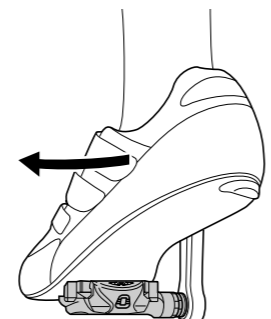
#### ■ Engaging the cleats with the pedals

Press the cleats into the pedals with a forward and downward motion.



#### ■ Releasing the cleats from the pedals

Release the cleats from the pedals by twisting your heels outward.



#### Note:

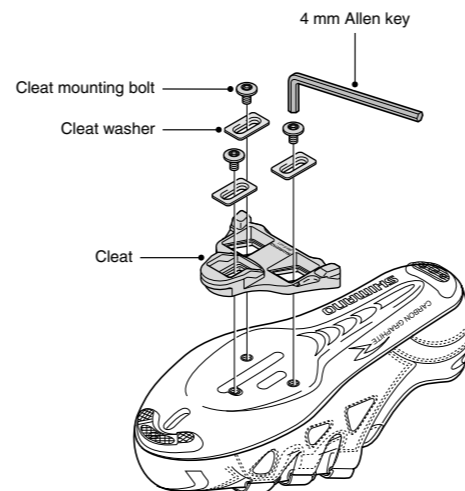
Place one foot on the ground, practice engaging and releasing the cleat from the pedal several times, and set the spring tension to the tension you prefer when releasing the cleat.

### Attaching the cleats

Set the cleat on the bottom of each shoe as shown in the illustration, and then provisionally tighten the cleat mounting bolts. Refer to the service instructions provided with your shoes for further details.

#### Note:

When installing the cleats, use the cleat mounting bolts and the cleat washers that are provided with the cleats. If you use any other cleat mounting bolts, it may damage the cleats and cause problems with correct installation.



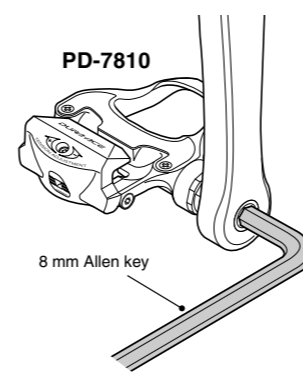
### Adjusting the cleat position

- The cleats have an adjustment range of 15 mm front to back and 5 mm right to left. After provisionally tightening the cleats, practice engaging and releasing, one shoe at a time. Readjust to determine the best cleat positions.
- After you have determined the best cleat position, firmly tighten the cleat mounting bolts with a 4 mm Allen key.

Tightening torque:  
5 – 6 N·m {43 – 52 in. lbs.}

### Mounting the pedals on the crank arms

Use an 8 mm Allen key (for PD-7810 pedals) or a 15 mm spanner (for PD-6700 / PD-R670 / PD-5610 pedals) to mount the pedals on the crank arms. The right pedal has a right-hand thread; the left pedal has a left-hand thread.



Tightening torque:  
35 – 55 N·m {304 – 477 in. lbs.}

Pay attention to the mark  
R: right pedal  
L: left pedal

15 mm spanner

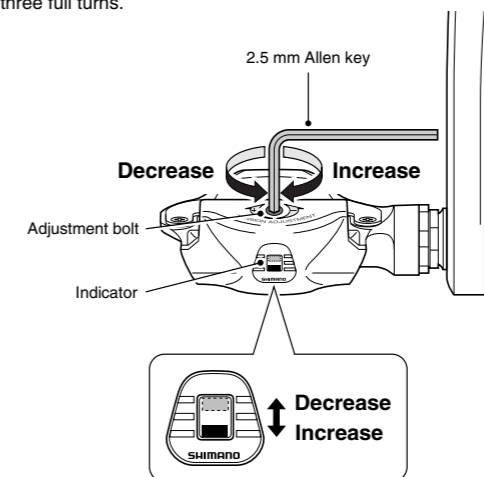
Tightening torque:  
35 – 55 N·m {304 – 477 in. lbs.}

#### Note:

A 6 mm Allen key cannot provide a sufficient tightening torque. Always be sure to use a 15 mm spanner.

### Adjusting the spring tension of the binding

The spring force is adjusted by means of adjustment bolts at the rear of the pedals. Adjust the spring force to the optimum cleat holding force when releasing the cleats from the bindings. Equalize the spring tensions for both pedals by referring to the tension indicators and by counting the number of turns of the adjustment bolts. The spring tensions can be adjusted in four steps for each turn of the adjustment bolts, and each adjustment bolt can be turned up to three full turns.



Do not turn the bolt past the point at which the indicator shows the maximum or minimum tension.

#### Note:

- In order to prevent accidental release from occurring, make sure all the spring tensions are properly adjusted.
- The spring tensions should be adjusted equally for both right and left pedals. If they are not adjusted equally, it can cause the rider difficulty to engage or release from the pedals.
- If the adjustment bolt is completely withdrawn from the spring plate, disassembly and reassembly will be required. If this occurs, ask a professional dealer for assistance.

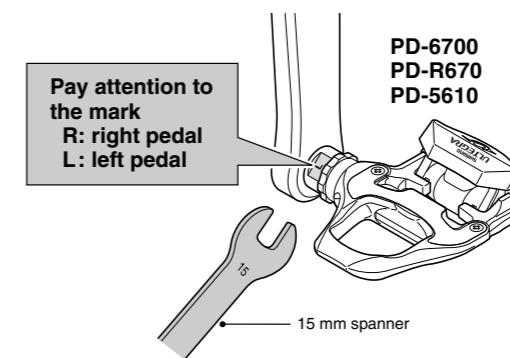
### Cleat replacement

Cleats wear out over time and should be replaced periodically. Cleats should be replaced when it becomes difficult to release, or it starts to release with much less effort than when it was in new condition.

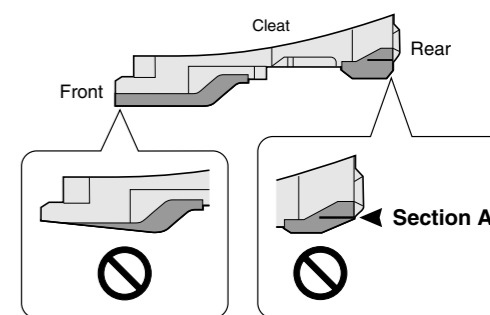
#### Note:

If the yellow (SM-SH11) or red (SM-SH10) portions of the cleats become worn, replace the cleats with new ones.

Front: Replace the cleats when the black layer underneath the cleats are visible.  
Rear: Replace when section A in the illustration becomes worn.

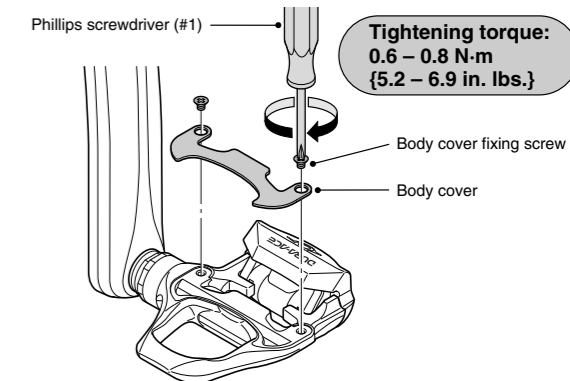


PD-6700  
PD-R670  
PD-5610



### Replacement of the body cover

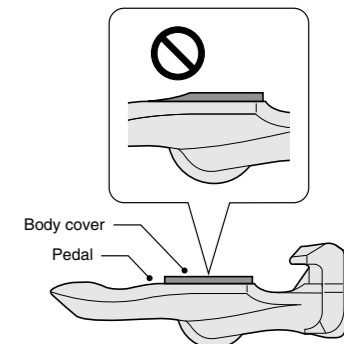
If the body cover of the pedal becomes worn, replace it with a new body cover (sold separately) as shown below.



Tightening torque:  
0.6 – 0.8 N·m  
{5.2 – 6.9 in. lbs.}

#### Note:

The body cover is a consumable part. Replace the body cover with a new one before any part of the body cover becomes flush with the pedal. If you continue to ride the bicycle without replacing the body cover, it may damage the pedal. In addition, self-locking screws are used as the body cover fixing screws, so once they have been loosened, they should be discarded and new body cover fixing screws should be used.



### Maintenance of the axle units

If you experience any trouble with the rotating parts of the pedal, the pedal may require adjustment. Obtain advice from a professional dealer.

### Mounting the reflectors (optional)

An optional reflector set (SM-PD58) is available. Please contact a professional dealer for details.

\* Service Instructions in further languages are available at:  
<http://techdocs.shimano.com>

Please note: Specifications are subject to change for improvement without notice. (English)

## SHIMANO

SHIMANO AMERICAN CORPORATION  
One Holland, Irvine, California 92618, U.S.A. Phone: +1-949-951-5003

SHIMANO EUROPE B.V.  
Industrieweg 24, 8071 CT Nunspeet, The Netherlands Phone: +31-341-272222

SHIMANO INC.  
3-77 Oimatsu-cho, Sakai-ku, Sakai, Osaka 590-8577, Japan