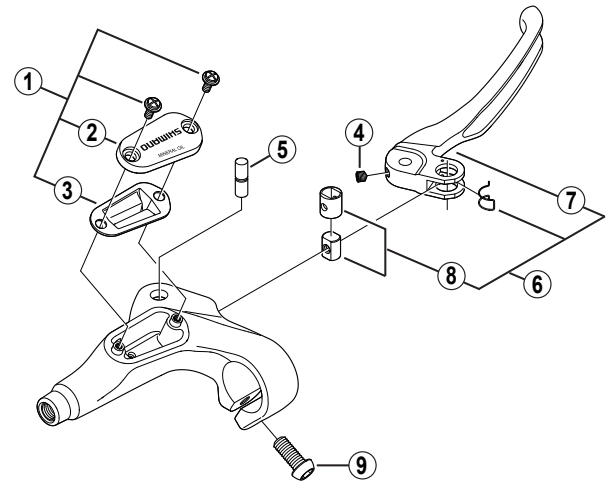


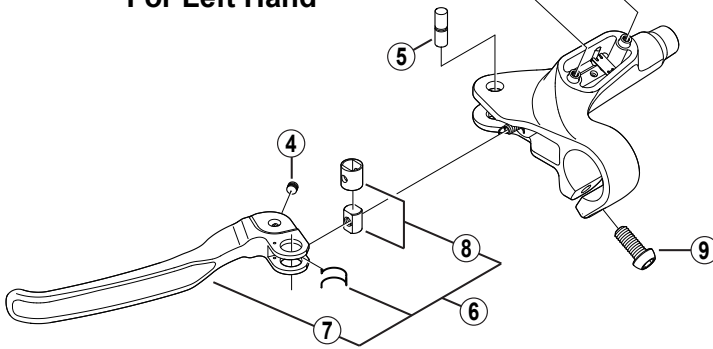
# SHIMANO Brake Lever

## BL-T605 For Disc Brake

For Right Hand



For Left Hand



BL-M585  
BL-S502  
BL-S500

ITEM NO.	SHIMANO CODE NO.	DESCRIPTION	INTERCHANGEABILITY		
			BL-M585	BL-S502	BL-S500
1	Y-8UT98010	R.H. Lid Unit			
	Y-8UT98020	L.H. Lid Unit			
2	Y-8S1 04300	R.H. Lid			
	Y-8S1 05300	L.H. Lid			
3	Y-8S1 06000	Diaphragm	A	A	A
4	Y-8SZ07000	Lever Axle Fixing Bolt	A	A	A
5	Y-8SZ06000	Lever Axle	A	A	A
6	Y-8UT98030	Lever Unit			B
7	Y-8S1 03200	Lever Member			
8	Y-6JK98070	Reach Adjusting Boss & Sleeve	A	A	A
9	Y-8SB10010	Clamp Bolt (M6 x 14.8)	B	A	B

A: Same parts.

B: Parts are usable, but differ in materials, appearance, finish, size, etc.

Absence of mark indicates non-interchangeability.

0808-2865A

Specifications are subject to change without notice.

# SHIMANO