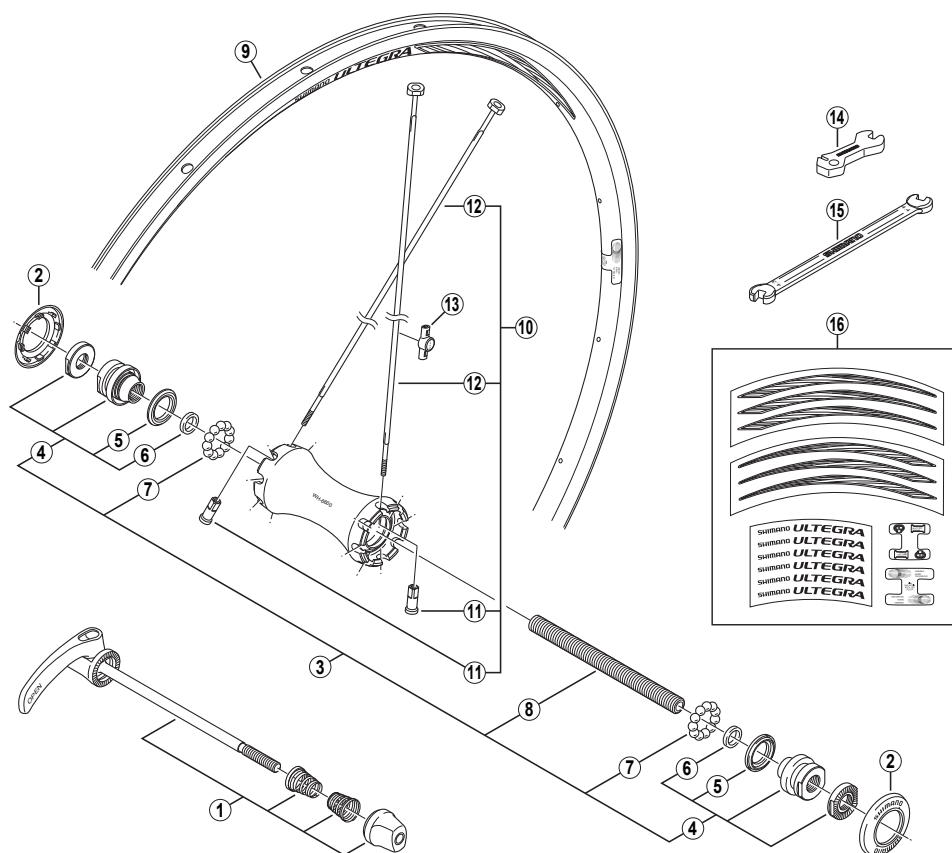


ULTEGRA Front Wheel
WH-6600-F Silver Version
WH-6600-G-F Ice Grey Version



• Over Lock Nut Dimension: 100 mm (3-15/16")

ITEM NO.	SHIMANO CODE NO.	DESCRIPTION	INTERCHANGEABILITY		
			WH-R801	WH-5800	WH-R561
1	Y-4CP98060	Complete Quick Release 133 mm (5-1/4") for WH-6600	B	B	B
	Y-4CP98070	Complete Quick Release 133 mm (5-1/4") for WH-6600-G			
2	Y-4CB13000	Hub Cap	A	A	B
3	Y-4CF 98010	Complete Hub Axle 108 mm (4-1/4")	A	A	A
4	Y-4CF 98020	Lock Nut Unit	A	A	A
5	Y-214 06000	Seal Ring	A	A	A
6	Y-2T8 04000	O-Ring	A	A	A
7	Y-4BB98030	Steel Ball (3/16") 22 pcs.	A	A	A
8	Y-21C 03100	Hub Axle 108 mm (4-1/4")	A	A	A
* 9	E-WHRIM1DFGAC	Rim for WH-6600 {16H / Silver / Anodized / Clincher}			
	E-WHRIM1DFGGC	Rim for WH-6600-G {16H / Ice Grey / Anodized / Clincher}			
10	E-WHSPOKE1GA1	Spoke Unit for WH-6600 {Spoke (Silver/284 mm x 16 pcs.) / Spoke Washer (16 pcs.) / Nipple (16 pcs.)}	B	B	B
	E-WHSPOKE1HA1	Spoke Unit for WH-6600-G {Spoke (Black/284 mm x 16 pcs.) / Spoke Washer (16 pcs.) / Nipple (16 pcs.)}			
11	Y-012 Z4200	Nipple (Silver) for WH-6600	B	B	B
	Y-012 Z4205	Nipple (Black) for WH-6600-G			
12	Y-4CP98010	Spoke (284 mm/Silver) w/Washer for WH-6600	A	A	A
	Y-4CF 98030	Spoke (284 mm/Black) w/Washer for WH-6600-G			
13	Y-4BN98090	Magnet Sensor	A	A	
14	Y-4A0 08000	Nipple Wrench	A	A	
15	Y-4A0 14000	TL-WH77 Nipple Wrench	A	A	
16	Y-4CP98020	Rim Sticker Unit for WH-6600			
	Y-4CP98090	Rim Sticker Unit for WH-6600-G			

A: Same parts.

B: Parts are usable, but differ in materials, appearance, finish, size, etc.

Absence of mark indicates non-interchangeability.

0709-2561B

Specifications are subject to change without notice.

SHIMANO